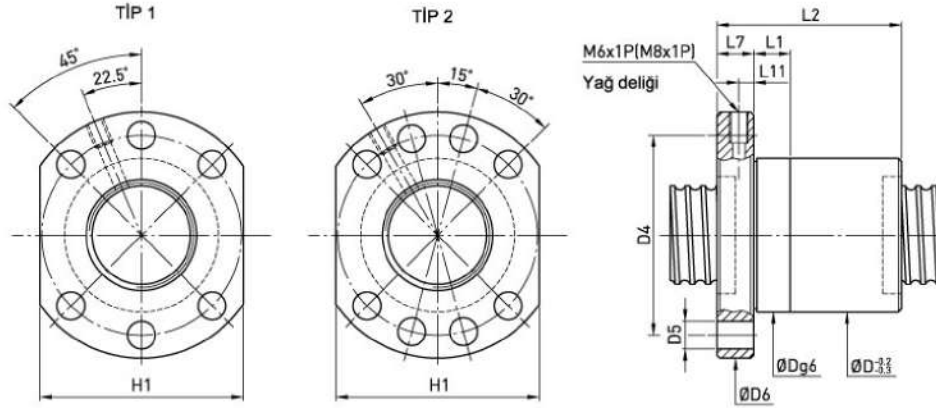


Vidalı Miller Hassas Ovalanmış Miller

FSI Tip Somunlar FSI (DIN 69051 Part 5)



| Tip | Ölçü | | Bilya çapı | Dönüş | Dinamik yük 1x10 ⁶ revs C [kgf] | Statik yük Co [kgf] | D | D4 | Flanş delik No. | D5 | D6 | H1 | L1 | L2 | L7 | L11 | yağ delik | | |
|---------|----------|-------|------------|-------|--|--------------------------|------|-------|-----------------|-----|-----|-----|-----|----|-------|-----|-----------|---|-------|
| | Mil çapı | Hatve | | | | | | | | | | | | | | | | | |
| 16-5T3 | 16 | 5 | 3.175 | 3 | 1000 | 2000 | 28 | 38 | 6 | 5.5 | 48 | 40 | 10 | 40 | 10 | 5 | M6x1P | | |
| 20-5T3 | 20 | | | 3 | 1160 | 2660 | 36 | 47 | 6 | 6.6 | 58 | 44 | 10 | 44 | 10 | 5 | M6x1P | | |
| 20-5T4 | 20 | | | 4 | 1490 | 3550 | 36 | 47 | 6 | 6.6 | 58 | 44 | 10 | 52 | 10 | 5 | M6x1P | | |
| 25-5T3 | 25 | | | 3 | 1320 | 3490 | 40 | 51 | 6 | 6.6 | 62 | 48 | 10 | 44 | 10 | 5 | M6x1P | | |
| 25-5T4 | 25 | 4 | 1690 | 4660 | 40 | 51 | 6 | 6.6 | 62 | 48 | 12 | 52 | 10 | 5 | M6x1P | | | | |
| 25-10T3 | 25 | 10 | 4.763 | 3 | 2160 | 4860 | 40 | 51 | 6 | 6.6 | 62 | 48 | 16 | 65 | 10 | 5 | M6x1P | | |
| 32-5T3 | 32 | 5 | 3.175 | 3 | 1500 | 4660 | 50 | 65 | 6 | 9 | 80 | 62 | 10 | 46 | 12 | 6 | M6x1P | | |
| 32-5T4 | 32 | | | 4 | 1920 | 6210 | 50 | 65 | 6 | 9 | 80 | 62 | 10 | 53 | 12 | 6 | M6x1P | | |
| 32-5T6 | 32 | | | 6 | 2730 | 9320 | 50 | 65 | 6 | 9 | 80 | 62 | 10 | 66 | 12 | 6 | M6x1P | | |
| 32-10T3 | 32 | | | 10 | 6.350 | 3 | 3650 | 8660 | 50 | 65 | 6 | 9 | 80 | 62 | 16 | 74 | 12 | 6 | M6x1P |
| 32-10T4 | 32 | 4 | 4680 | 11550 | 50 | 65 | 6 | 9 | 80 | 62 | 16 | 85 | 12 | 6 | M6x1P | | | | |
| 40-5T4 | 40 | 5 | 3.175 | 4 | 2110 | 7770 | 63 | 78 | 8 | 9 | 93 | 70 | 10 | 53 | 14 | 7 | M8x1P | | |
| 40-5T6 | 40 | | | 6 | 2990 | 11650 | 63 | 78 | 8 | 9 | 93 | 70 | 10 | 66 | 14 | 7 | M8x1P | | |
| 40-10T3 | 40 | | | 10 | 6.350 | 3 | 4030 | 10680 | 63 | 78 | 8 | 9 | 93 | 70 | 16 | 74 | 14 | 7 | M8x1P |
| 40-10T4 | 40 | | | 4 | 5170 | 14240 | 63 | 78 | 8 | 9 | 93 | 70 | 16 | 87 | 14 | 7 | M8x1P | | |
| 50-5T4 | 50 | 5 | 3.175 | 4 | 2330 | 9990 | 75 | 93 | 8 | 11 | 110 | 85 | 10 | 57 | 16 | 8 | M8x1P | | |
| 50-5T6 | 50 | | | 6 | 3310 | 14980 | 75 | 93 | 8 | 11 | 110 | 85 | 10 | 70 | 16 | 8 | M8x1P | | |
| 50-10T3 | 50 | | | 10 | 6.350 | 3 | 4590 | 14000 | 75 | 93 | 8 | 11 | 110 | 85 | 16 | 78 | 16 | 8 | M8x1P |
| 50-10T4 | 50 | | | 4 | 5880 | 18660 | 75 | 93 | 8 | 11 | 110 | 85 | 16 | 89 | 16 | 8 | M8x1P | | |
| 50-10T6 | 50 | 6 | 8330 | 28000 | 75 | 93 | 8 | 11 | 110 | 85 | 16 | 112 | 16 | 8 | M8x1P | | | | |