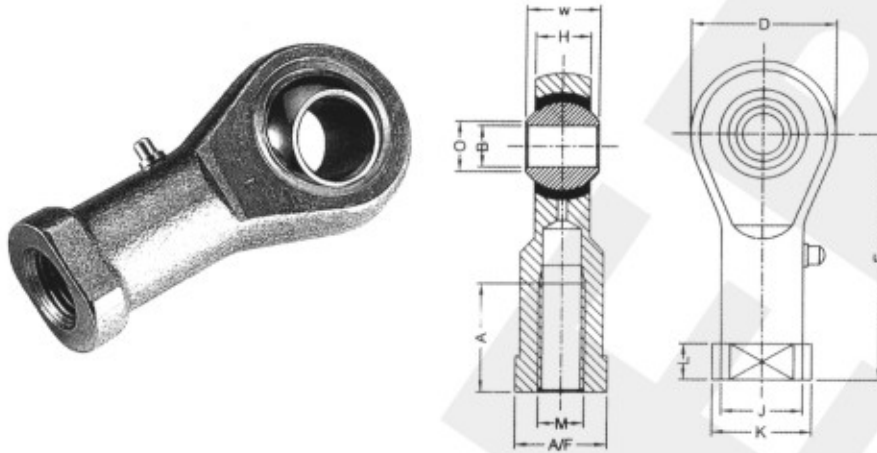


MAFSAL KAFALAR PHS - POS

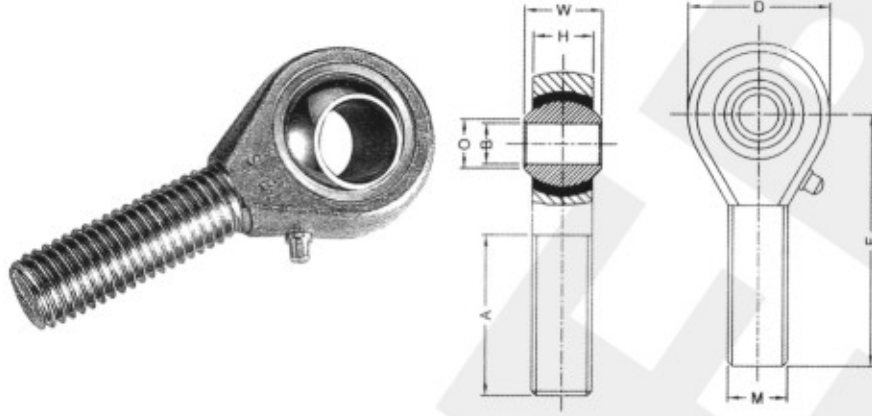


Series PHS

Model Number	(mm) Main Dimensions												Static Load (kn)		Weight (g)	
	B	W	O	H	D	F	K	J	L	A/F	A	Thread M	Permit of Angle α	Radial		Axial
PHS 5 R/L H.	5	8	7.7	6	16	27	11	9	4	9	12	5×0.8	13	5.7	1.5	18
6	6	9	8.9	7	18	30	13	10	5	11	14	6×1.0	13	7	2	27
8F	8	12	10.4	9	22	36	16	12.5	5	14	17	8×1.0	13	11.6	3.5	46
8	8	12	10.4	9	22	36	16	12.5	5	14	17	8×1.25	13	11.6	3.5	46
10F	10	14	12.9	11	26	43	19	15	6.5	17	21	10×1.25	13	14.5	4.8	78
10	10	14	12.9	11	26	43	19	15	6.5	17	21	10×1.5	13	14.5	4.8	78
12F	12	16	15.4	12	30	50	22	17.5	6.5	19	24	12×1.25	13	17	6.5	115
12	12	16	15.4	12	30	50	22	17.5	6.5	19	24	12×1.75	13	17	6.5	115
14F	14	19	16.8	14	34	57	25	20	8	21	27	14×1.5	15	24	8.2	170
14	14	19	16.8	14	34	57	25	20	8	21	27	14×2.0	15	24	8.2	170
16F	16	21	19.3	15	38	64	27	22	8	22	33	16×1.5	15	28.5	10	230
16	16	21	19.3	15	38	64	27	22	8	22	33	16×2.0	15	28.5	10	230
18	18	23	21.8	17	42	71	31	25	10	27	36	18×1.5	15	35	12.5	320
20	20	25	24.3	18	46	77	34	27.5	10	30	40	20×1.5	15	40	15	420
22	22	28	25.8	20	50	84	37	30	12	32	43	22×1.5	15	52	18	540
25	25	31	29.6	22	56	94	42	33.5	12	36	48	24×2.0	15	60	23	750
30	30	37	34.8	26	67	110	50	40	15	41	56	30×2.0	15	81	30	1130

PHS 1/4 R/L H.	6.35	9	8.9	7	18	30	13	10	5	11	14	1/4-28UNF	13	7	2	27
5/16	7.94	12	10.4	9	22	36	16	12.5	5	14	17	5/16-24UNF	13	11.6	3.5	46
3/8	9.53	14	12.9	11	26	43	19	15	6.5	17	21	3/8-24UNF	13	14.5	4.8	78
1/2	12.70	16	15.4	12	30	50	22	17.5	6.5	19	24	1/2-20UNF	13	17	6.5	115
5/8	15.88	21	19.3	15	38	64	27	22	8	22	33	5/8-18UNF	15	28.5	10	230
3/4	19.05	23	21.8	17	42	71	31	25	10	27	36	3/4-16UNF	15	35	12.5	320

MAFSAL KAFALAR PHS - POS



Series POS

Model Number	(mm) Main Dimensions													Static Load (kn)		Weight (g)
	B	W	O	H	D	F	K	J	L	A/F	A	Thread M	Permit of Angle α	Radial	Axial	
POS 5 R/L H.	5	8	7.7	6	16	33	—	—	—	—	20	5×0.8	13	5.7	1.5	14
6	6	9	8.9	7	18	36	—	—	—	—	22	6×1.0	13	7	2	21
8F	8	12	10.4	9	22	42	—	—	—	—	25	8×1.0	13	11.6	3.5	34
8	8	12	10.4	9	22	42	—	—	—	—	25	8×1.25	13	11.6	3.5	34
10F	10	14	12.9	11	26	48	—	—	—	—	29	10×1.25	13	14.5	4.8	58
10	10	14	12.9	11	26	48	—	—	—	—	29	10×1.5	13	14.5	4.8	58
12F	12	16	15.4	12	30	54	—	—	—	—	33	12×1.25	13	17	6.5	92
12	12	16	15.4	12	30	54	—	—	—	—	33	12×1.75	13	17	6.5	92
14F	14	19	16.8	14	34	60	—	—	—	—	36	14×1.5	15	24	8.2	135
14	14	19	16.8	14	34	60	—	—	—	—	36	14×2.0	15	24	8.2	135
16F	16	21	19.3	15	38	66	—	—	—	—	40	16×1.5	15	28.5	10	205
16	16	21	19.3	15	38	66	—	—	—	—	40	16×2.0	15	28.5	10	205
18	18	23	21.8	17	42	72	—	—	—	—	44	18×1.5	15	35	12.5	285
20	20	25	24.3	18	46	78	—	—	—	—	47	20×1.5	15	40	15	370
22	22	28	25.8	20	50	84	—	—	—	—	51	22×1.5	15	52	18	475
25	25	31	29.6	22	56	94	—	—	—	—	57	24×2.0	15	60	23	650
30	30	37	34.8	26	67	110	—	—	—	—	66	30×2.0	15	81	30	1070
POS 1/4 R/L H.	6.35	9	8.9	7	18	36	—	—	—	—	22	1/4-28UNF	13	7	2	46
5/16	7.94	12	10.4	9	22	42	—	—	—	—	25	5/16-24 UNF	13	11.6	3.5	34
3/8	9.53	14	12.9	11	26	48	—	—	—	—	29	3/8-24UNF	13	14.5	4.8	58
1/2	12.70	16	15.4	12	30	54	—	—	—	—	33	1/2-20UNF	13	17	5	92
5/8	15.88	21	19.3	15	38	66	—	—	—	—	40	5/8-18UNF	15	28.5	10	205
3/4	19.05	23	21.8	17	42	72	—	—	—	—	44	3/4-16UNF	15	35	12.5	285