

## SE Type Metallic End Cap

### 2-15 SE Type - Metal End Cap Linear Guideway

#### 2-15-1 General Information

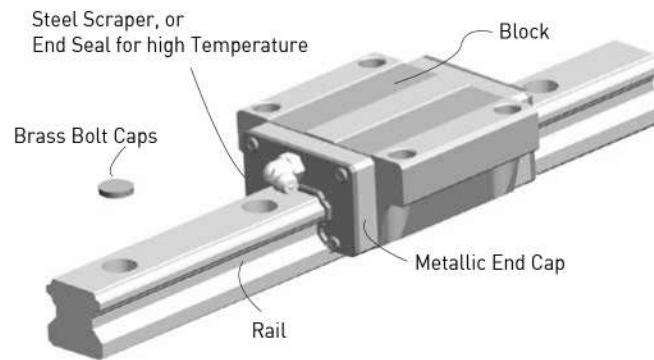
(1) Features

- Use of Metallic parts; (if end seal is needed, the high-temperature rubber in end seal is available).
- Excellent temperature resistance; service temperature under 150 °C.

(2) Applications

- Heat treatment equipment,
- Applications using vacuums (no vapor dispersion from plastic or rubber)
- Welding equipment.

#### 2-15-2 Structure



#### 2-15-3 Specification

(1) Add “/ SE” after the specification of linear guideway

Ex. HGW25CA2R1000Z0PII + ZZ / SE

#### 2-15-4 Dimensions of Bolt Cap

Table 2-15-1 Dimensions of Copper Bolt Cap

Item	Bolt Size	Diameter (mm)		Item	Bolt Size	Diameter (mm)	
		D	H			D	H
C3-C	M3	6.15	1.2	C8-C	M8	14.15	3.5
C4-C	M4	7.65	1.2	C12-C	M12	20.15	4
C5-C	M5	9.65	2.5	C14-C	M14	23.15	4
C6-C	M6	11.15	2.8	C16-C	M16	26.15	4

Table 2-15-2 Dimensions of Stainless Bolt Cap

Item	Bolt Size	Diameter (mm)		Item	Bolt Size	Diameter (mm)	
		D	H			D	H
C3-S	M3	6.15	1.2	C8-S	M8	14.22	3.5
C4-S	M4	7.65	1.2	C12-S	M12	20.25	4
C5-S	M5	9.65	2.5	C14-S	M14	23.25	4
C6-S	M6	11.22	2.8	C16-S	M16	26.20	4

## 2-16 Stainless Steel Linear Guideway

### 2-16-1 Features

**(1) Same features as standard linear guideway**

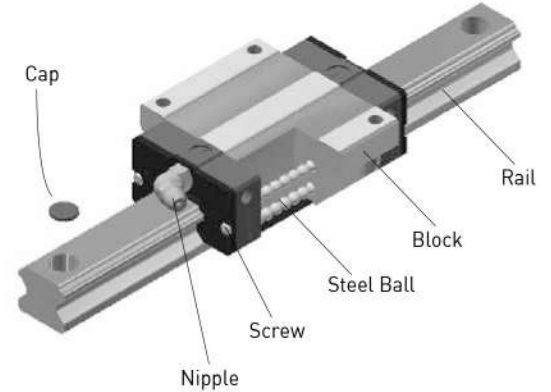
- Stiffness, Hardness, Service Life, Dimensions remain the same

**(2) Suitable for specific extreme environments**

- With metal components, it can be used in low and medium vacuum environments

**(3) Great corrosion resistance**

-Block, Rail, Steel Balls, Grease nipple, Screws are all made of stainless steel material



Note: 1. Currently available in HG15C、HG20C、HG25C、EG15C  
2. Maximum length available is 2000mm  
3. Add "/M" after the specification of linear guideway  
Ex. HGW25CA2R1600ZAPII /M

### 2-16-2 Suitable for below environments

- Chemicals
- Humid

### 2-16-3 Main Applications

- Food processing, transportation and storage
- Vacuum equipment
- Liquid and gas processing equipment
- Cleanroom equipment

Salt Spray Test		
	Stainless Steel Series	Regular Series
Before		
After		
Result	Slight Corrosion	Severe Corrosion

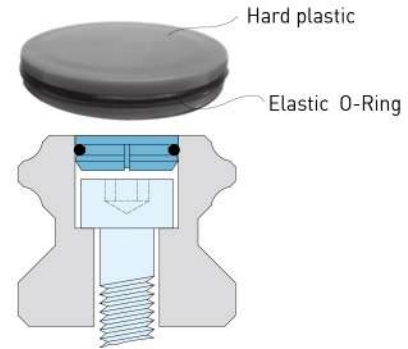
Note: Test conditions: -Salt Solution: 5 % NaCl  
-Salt spray chamber temperature: 35°C±2°C  
-Pressure: 1 bar

# RC Type

## Reinforced Cap

### 2-17 RC Type - Reinforced Cap

The RC Reinforced Cap consists of a piece of hard plastic and a piece of an elastic O-ring. The hard plastic is made of synthetic resin which is characterized by oil resistance and abrasion resistance; the O-ring is made of rubber which is characterized by oil resistance and elasticity. The structure is shown on the illustration to the right.



#### 2-17-1 Features of the Reinforced Cap

**(1) Absorb the machining error**

The elastic O-ring can eliminate some of the machining error caused during the creation of the mounting holes by maintaining the tight fit between the cap and the mounting hole.

**(2) Vibration and shock resistance**

The elastic O-ring can prevent the cap from loosening by absorbing the vibrations caused by external forces acting on the guideways.

**(3) High performance dust protection**

The reinforced cap is designed with an elastic O-ring to contact the mounting hole perfectly by eliminating the clearance between the cap and the mounting hole resulting in excellent dust protection.

**(4) Service life prolongation**

The service life of the guideway increases due to the smoothness of the rail surface after installation of the Reinforced Cap preventing any damage to the end seals during operation.

#### 2-17-2 Specification

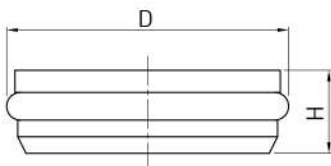
**(1) Non-interchangeable type - Add "+RC" after the specification of the linear guideway**

Ex. HGW25CC2R1600ZAPII+ZZ+RC

**(2) Interchangeable type -Add "+RC" after the specification of the linear guideway**

EX. HGR25R1600P +RC

#### 2-17-3 Dimensions of Reinforced Cap



Model Number	Bolt Size	Diameter (mm)		Rail size					
		D	H	HGR	EGR	WER	MGNR	RGR	CRG
RC3	M3	6.15	1.3		15		12, 15		
RC4	M4	7.65	1.1	15	15U	17, 21, 27		15	15
RC5	M5	9.8	3	20	20			20	20
RC6	M6	11.4	2.8	25	25, 30	35		25	25
RC8	M8	14.6	3.5	30, 35	35, 30U			30, 35	30, 35
RC12	M12	20.5	4	45				45	
RC14	M14	23.5	5	55				55	
RC16	M16	26.6	5	65				65	